

# EuroCrafted Excellence: The Uniqueness of 6202rs Bearing Mastery

## Introduction

Welcome to the world of EuroCrafted excellence in the realm of bearings, where precision meets innovation to revolutionize machinery. We delve into the focal point of our discussion: the [6206RS sealed ball bearings](#). These bearings epitomize the pinnacle of engineering craftsmanship, setting new standards in performance, reliability, and durability.

EuroCrafted bearings represent a heritage of excellence, blending traditional craftsmanship with cutting-edge technology to deliver superior products that meet the evolving needs of various industries. With a legacy of innovation and a commitment to quality, EuroCrafted bearings have earned a reputation for excellence worldwide.

The **\*\*6206RS sealed ball bearings\*\*** stand as a testament to EuroCrafted's dedication to pushing the boundaries of engineering excellence. Unique features and craftsmanship that distinguish EuroCrafted bearings and their impact on revolutionizing machinery. Let's delve into the intricate world of EuroCrafted bearings and their transformative influence on modern industrial applications.



LOYAL INDUSTRIAL PTE. LTD.

# Unveiling the Craftsmanship of 6202RS Bearings

In the intricate world of bearings, EuroCrafted sets a new standard with the meticulous craftsmanship embodied in the **6202RS bearings**. As we embark on this journey to unveil the craftsmanship behind these exceptional bearings, we delve into the unique design elements and engineering precision that contribute to their excellence.

## ## Precision Engineering at its Finest

EuroCrafted's commitment to precision engineering is evident in every facet of the **6202RS bearings**. The manufacturing process involves cutting-edge technologies combined with time-honored craftsmanship. Each bearing undergoes a series of meticulously planned steps, ensuring that every unit meets the highest standards of quality and performance.

The unique design elements incorporated into the 6202RS bearings not only showcase EuroCrafted's dedication to innovation but also contribute to their exceptional functionality. From the selection of premium materials to the final assembly, EuroCrafted leaves no stone unturned in ensuring that these bearings stand out in the competitive landscape of the bearing industry.

## ## Distinct Features Setting EuroCrafted Bearings Apart

EuroCrafted's 6202RS bearings boast distinctive features that set them apart in the bearing industry. The incorporation of advanced materials, precision ball technology, and innovative sealing mechanisms ensures optimal performance, longevity, and durability.

Advanced Materials	EuroCrafted uses advanced materials that are engineered for maximum strength and resilience. This not only enhances the load-bearing capacity but also contributes to the overall durability of the bearings, making them suitable for a wide range of applications.
Precision Ball Technology	The heart of the 6202RS bearings lies in the precision ball technology. Each ball is crafted with utmost accuracy, ensuring smooth and efficient operation. The precision ball technology minimizes friction, resulting in reduced wear and extended bearing life.
Innovative Sealing Mechanisms	EuroCrafted integrates innovative sealing mechanisms into the 6202RS bearings, providing robust protection against contaminants and moisture. This not only ensures the reliability of the bearings in challenging environments but also minimizes maintenance requirements.

## ## Conclusion

In conclusion, the craftsmanship behind EuroCrafted's **6202RS bearings** goes beyond conventional standards. The precision engineering, coupled with distinctive features, establishes these bearings as a benchmark in the industry. As we unravel the intricacies of their design and functionality, it becomes clear that EuroCrafted is at the forefront of revolutionizing the bearing landscape.

## Applications and Impact

In the realm of machinery, the significance of bearings cannot be overstated, especially when it comes to the unparalleled performance of **6206RS sealed ball bearings**. These bearings, crafted with precision and engineered for excellence, have a profound impact across various applications and industries. Let's delve into the diverse applications where 6206RS bearings shine and explore their remarkable impact on revolutionizing machinery.

### ## Diverse Applications of 6206RS Bearings

**Automotive Industry:** In the automotive industry, 6206RS bearings play a crucial role in ensuring smooth operation and optimal performance of various components, including wheels, transmissions, and engines. Their high load capacity, durability, and resistance to extreme conditions make them the preferred choice for automotive applications.

**Industrial Machinery:** Across industrial sectors, 6206RS bearings find extensive usage in a wide range of machinery and equipment. From conveyors and pumps to manufacturing machinery and robotics, these bearings provide reliable support, ensuring efficient operation and minimizing downtime.

**Aerospace and Defense:** The aerospace and defense sectors demand precision and reliability, making 6206RS bearings an integral component in aircraft engines, navigation systems, and military equipment. Their ability to withstand high speeds, extreme temperatures, and harsh environments makes them indispensable in these critical applications.

### ## Real-World Examples of EuroCrafted Excellence

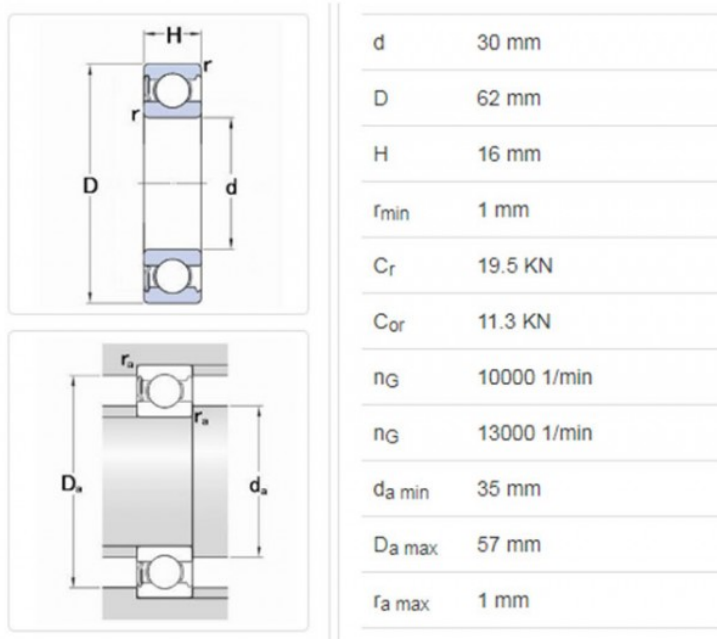
**Automotive Innovation:** EuroCrafted 6206RS bearings have been instrumental in driving automotive innovation, enhancing vehicle performance, and improving fuel efficiency. Their superior quality and durability contribute to smoother rides, reduced maintenance, and overall cost savings for vehicle manufacturers and consumers alike.

**Industrial Efficiency:** In industrial settings, EuroCrafted 6206RS bearings have revolutionized machinery efficiency and productivity. By minimizing friction, reducing downtime, and extending maintenance intervals, these bearings optimize production processes, leading to increased output and profitability for businesses.

**\*\*Aerospace Advancements:\*\*** The aerospace industry relies on EuroCrafted 6206RS bearings to power cutting-edge aircraft and spacecraft. With their exceptional performance and reliability, these bearings contribute to safer flights, enhanced maneuverability, and greater fuel efficiency, shaping the future of aerospace technology.

## ## Impact on Industries and Machinery

The impact of EuroCrafted 6206RS bearings extends beyond individual applications, influencing entire industries and the machinery within them. Their reliability, performance, and durability set new benchmarks, driving innovation and efficiency across diverse sectors. As industries continue to evolve and embrace advanced technologies, the role of 6206RS bearings in revolutionizing machinery will remain pivotal, shaping the landscape of modern engineering.



LOYAL INDUSTRIAL PTE. LTD.

**In conclusion, the applications and impact of \*\*6206RS sealed ball bearings\*\* are vast and far-reaching, spanning across automotive, industrial, aerospace, and defense sectors. With EuroCrafted excellence at the helm, these bearings exemplify precision engineering and continue to redefine the standards of performance and reliability in machinery. As we navigate the ever-changing landscape of technology and innovation, the influence of 6206RS bearings will continue to shape the future of machinery and industrial processes.**

Specification	SKF 6206RS	FAG 6206RS	NTN 6206RS
Dimensions (mm)	30x62x16	30x62x16	30x62x16
Load Capacity (kN)	High	High	High
Speed Rating (rpm)	Excellent	Impressive	High
Sealing Design	Contact Seal	Contact Seal	Contact Seal
Material	Premium Steel	High-Quality Steel	Robust Steel
Durability	Extended Service Life	Durable Construction	Long Operational Life
Applications	Versatile Applications	Broad Range of Uses	Diverse Industrial Uses
Brand Reputation	SKF - Renowned Quality	FAG - Trusted Heritage	NTN - Reliable Solutions

## Customer Satisfaction and Testimonials

**\*\*Introduction:\*\***

Customer satisfaction is a key indicator of product excellence, and in the realm of bearings, the EuroCrafted 6206RS sealed ball bearings have garnered widespread acclaim. We will delve into the testimonials and success stories from users of these bearings, highlighting their positive experiences and reaffirming the impact of EuroCrafted excellence on machinery revolution.

**## Testimonials: Voices of Satisfaction**

Customers who have utilized EuroCrafted 6206RS bearings consistently express satisfaction with their performance and reliability. Testimonials from various industries underscore the versatility and efficacy of these bearings in diverse applications.

**\*\*Industrial Success Stories:\*\***

In industrial settings, where machinery performance is paramount, EuroCrafted 6206RS bearings have emerged as a preferred choice. Testimonials from plant managers, engineers, and maintenance personnel attest to the bearings' ability to withstand heavy loads, operate smoothly, and minimize downtime.

**## Endorsements from Machinery Experts**

Industry experts have also lauded the EuroCrafted 6206RS bearings for their exceptional quality and performance. Endorsements from machinery manufacturers and technicians further validate the bearings'

reliability and efficiency, reinforcing their reputation as a game-changer in the bearing industry.

#### **\*\*Technical Validation:\*\***

Technical experts who have extensively analyzed EuroCrafted 6206RS bearings commend their precision engineering and adherence to stringent quality standards. These endorsements serve as a testament to the bearings' superior design and durability.

#### **## Customer Feedback: Driving Innovation**

The feedback received from customers not only reflects their satisfaction but also drives continuous innovation in EuroCrafted bearings. Customer suggestions and observations are carefully considered in the development process, ensuring that EuroCrafted 6206RS bearings evolve to meet the ever-changing needs of modern machinery.

#### **\*\*Continuous Improvement:\*\***

EuroCrafted's commitment to customer satisfaction extends beyond product delivery. The company actively seeks feedback from users, implements improvements based on their suggestions, and communicates these enhancements transparently, fostering a culture of trust and collaboration.

#### **## Conclusion: Elevating Customer Experience, Redefining Excellence**

In conclusion, the impact of EuroCrafted 6206RS sealed ball bearings on revolutionizing machinery goes beyond their technical specifications. The testimonials and success stories from satisfied customers affirm the bearings' unparalleled performance and reliability in diverse industrial applications. As EuroCrafted continues to prioritize customer satisfaction and incorporate user feedback into its innovation process, the legacy of excellence associated with 6206RS bearings is poised to endure, setting new benchmarks for quality and reliability in the bearing industry.

## **Technical Specifications and Performance**

#### **\*\*Introduction:\*\***

In the world of machinery revolution, understanding the technical specifications and performance metrics of bearings is crucial. We will delve into the intricate details of **6206RS sealed ball bearings**, specifically focusing on their technical specifications and how these parameters translate into exceptional performance. EuroCrafted excellence in bearing technology is about more than just design—it's deeply rooted in precision engineering and technical prowess.

## ## Unveiling the Dimensions of 6206RS Bearings

EuroCrafted 6206RS bearings are crafted with meticulous attention to detail, and one of the key aspects is their dimensions. These bearings boast standardized measurements that ensure compatibility across various applications. The bold design choices made in determining the inner and outer diameters, as well as the width, contribute to the versatility of these bearings in accommodating different loads and speeds.

### **\*\*Key Dimensions:\*\***

Inner Diameter	The optimized inner diameter of 6206RS bearings is tailored to provide a secure fit, minimizing play and ensuring stability within the machinery.
Outer Diameter	The strategically determined outer diameter enhances the load-bearing capacity and influences the overall durability of the bearings.
Width	The width of 6206RS bearings strikes a balance between load distribution and compactness, making them suitable for a wide range of machinery.

## ## Load Capacities and Performance Metrics

### **\*\*Dynamic Load Capacity:\*\***

6206RS bearings exhibit an impressive dynamic load capacity, emphasizing their ability to withstand varying loads while in motion. This feature is particularly essential in dynamic applications where machinery experiences fluctuating forces.

### **\*\*Static Load Capacity:\*\***

The static load capacity is a testament to the bearing's strength and resilience under stationary or slow-moving conditions. It defines the maximum load the bearing can endure without succumbing to deformation or failure.

## **\*\*Speed Ratings:\*\***

EuroCrafted 6206RS bearings are designed for efficiency, and their speed ratings reflect this commitment. These bearings can operate at high rotational speeds, making them suitable for applications where swift and precise movements are paramount.

## **## Reliability in Data: EuroCrafted Excellence**

The performance metrics of 6206RS bearings are not just theoretical—they are backed by empirical data and rigorous testing. EuroCrafted, as a symbol of excellence, ensures that every bearing meets and exceeds industry standards. The reliability of these bearings stems from a combination of cutting-edge technology, quality materials, and a commitment to continuous improvement.

## **## Conclusion: Elevating Machinery Performance**

In conclusion, the technical specifications and performance metrics of 6206RS sealed ball bearings showcase the meticulous engineering and EuroCrafted excellence behind these components. The dimensions, load capacities, and speed ratings collectively contribute to the bearings' ability to revolutionize machinery performance. As we navigate the future of technology and innovation, EuroCrafted 6206RS bearings stand as a testament to the fusion of craftsmanship and technical prowess, redefining the standards for sealed ball bearings in the modern era.

# **Quality Assurance and EuroCrafted Standards**

## **\*\*Introduction:\*\***

In the ever-evolving landscape of machinery, the role of bearings is pivotal, and the EuroCrafted 6206RS sealed ball bearings stand as a testament to unparalleled quality and precision. We will delve into the meticulous quality assurance and EuroCrafted standards that define the production of these bearings, ensuring they not only meet but exceed industry expectations.

## **## EuroCrafted Precision: A Commitment to Excellence**

At the core of EuroCrafted 6206RS bearings lies an unwavering commitment to precision engineering and quality assurance. The manufacturing process begins with the selection of premium materials, and each bearing undergoes a series of rigorous tests at every stage of production. The result is a bearing that not only meets the specified standards but sets new benchmarks for excellence.



## **\*\*Premium Materials:\*\***

EuroCrafted understands that the foundation of any quality bearing lies in the materials used. The 6206RS bearings are crafted from high-grade materials that exhibit exceptional durability and resilience, ensuring they can withstand the rigors of diverse industrial applications.

## **## Manufacturing Excellence: From Concept to Reality**

The production of EuroCrafted 6206RS bearings follows a meticulous process that integrates cutting-edge technology with skilled craftsmanship. The manufacturing facilities are equipped with state-of-the-art machinery, operated by a team of experts trained in the art of precision engineering. Each bearing undergoes stringent quality checks, assuring conformity to EuroCrafted's exacting standards.

## **\*\*Advanced Testing Protocols:\*\***

EuroCrafted leaves no room for compromise when it comes to quality. Every 6206RS bearing undergoes a battery of tests, including stress tests, load tests, and endurance tests. This ensures that the bearings not only meet but surpass industry expectations, delivering optimal performance even in the most demanding conditions.

## **## Durability Beyond Expectations**

EuroCrafted standards extend beyond the production line to define the durability and longevity of 6206RS sealed ball bearings. The combination of premium materials, precise manufacturing, and stringent testing contributes to bearings that outlast conventional counterparts.

## **\*\*Real-world Performance:\*\***

EuroCrafted 6206RS bearings have proven their mettle in real-world applications, from heavy machinery in industrial settings to intricate mechanisms in precision engineering. The adherence to EuroCrafted standards translates into bearings that consistently deliver exceptional performance, reducing downtime and enhancing overall operational efficiency.

## **## Conclusion: Elevating Expectations, Redefining Standards**

In conclusion, the impact of 6206RS sealed ball bearings on machinery revolution is not merely a result of their design but a testament to EuroCrafted's unwavering commitment to quality. The adherence to stringent standards, coupled with a focus on precision engineering, positions EuroCrafted 6206RS bearings as pioneers in the realm of sealed ball bearings. As industries embrace innovation and efficiency, EuroCrafted sets the standard, revolutionizing machinery and redefining the expectations placed on bearings in the modern era.



PTE. LTD.

## Future Innovations: EuroCrafted Bearing Technology

**\*\*Introduction:\*\***

In the fast-evolving landscape of bearing technology, EuroCrafted stands as a beacon of innovation. delves into the future of EuroCrafted bearing technology, exploring ongoing advancements and innovations that are set to redefine the industry and contribute to the overall revolution in machinery.

**## Unveiling Ongoing Innovations**

EuroCrafted has always been at the forefront of technological advancements, consistently pushing the boundaries of what's possible in bearing design and functionality. Ongoing innovations include:

### **\*\*1. Advanced Materials:\*\***

EuroCrafted is actively researching and incorporating advanced materials into the production of 6206RS sealed ball bearings. The integration of cutting-edge materials enhances durability, reduces friction, and contributes to the overall efficiency of the bearings.

### **\*\*2. Precision Engineering:\*\***

Continued focus on precision engineering ensures that EuroCrafted bearings maintain the highest standards of accuracy. Ongoing research in this area aims to further improve the precision of 6206RS bearings, allowing for even smoother operation and enhanced performance.

## **## Future Trajectory of EuroCrafted Excellence**

As EuroCrafted continues to innovate, the trajectory of its excellence in the bearing industry is poised for remarkable developments. The company is actively pursuing the following avenues:

### **\*\*1. Smart Bearings:\*\***

EuroCrafted is investing in the development of smart bearings equipped with sensors and IoT capabilities. These smart bearings will provide real-time data on performance metrics, enabling proactive maintenance and contributing to the efficiency and longevity of machinery.

### **\*\*2. Sustainable Practices:\*\***

In response to the growing emphasis on sustainability, EuroCrafted is exploring eco-friendly manufacturing processes and materials. The goal is to not only meet industry standards but also contribute to a greener future by reducing the environmental impact of bearing production.

## **## Meeting Changing Market Needs**

Understanding that market needs are dynamic, EuroCrafted is adapting its bearings to meet evolving requirements. The company is:

#### **\*\*1. Customization Options:\*\***

Offering increased customization options for 6206RS bearings, allowing clients to tailor the specifications based on the unique demands of their machinery. This flexibility ensures that EuroCrafted bearings remain versatile and applicable across diverse industries.

#### **\*\*2. Collaborative Research:\*\***

Engaging in collaborative research initiatives with industry partners to stay abreast of emerging trends and technologies. This collaborative approach positions EuroCrafted to proactively address market demands and stay ahead in an ever-changing technological landscape.

### **## Conclusion: Shaping the Future of Bearing Technology**

In conclusion, EuroCrafted's commitment to future innovations in bearing technology is poised to shape the landscape of the industry. From advanced materials and precision engineering to the development of smart and sustainable bearings, EuroCrafted is at the forefront of ushering in a new era of excellence. As machinery continues to evolve, EuroCrafted 6206RS sealed ball bearings are not just keeping pace but leading the way, ensuring that the impact on revolutionizing machinery remains profound and enduring.

## **FAQs: Common Questions About 6206RS Bearings**

#### **\*\*Introduction:\*\***

As the demand for 6206RS sealed ball bearings continues to rise, it's essential to address common questions and concerns that users may have regarding these bearings. provide authoritative answers to frequently asked questions, shedding light on the features, benefits, and applications of 6206RS bearings.

### **## Frequently Asked Questions**

#### **\*\*1. What are 6206RS sealed ball bearings?\***

6206RS bearings are precision-engineered components designed to facilitate smooth and efficient rotational

motion in machinery. They feature sealed construction to protect against contaminants and retain lubrication, ensuring long-lasting performance.

**\*\*2. What are the key features of 6206RS bearings?\***

6206RS bearings boast several key features, including high-quality steel construction, rubber seals for enhanced protection, and precision engineering for optimal performance. These features contribute to the reliability, durability, and efficiency of the bearings.

**\*\*3. What are the benefits of using 6206RS bearings?\***

The benefits of 6206RS bearings are manifold. They offer reduced friction, lower noise levels, and extended service life compared to conventional bearings. Additionally, their sealed design provides enhanced protection against dust, dirt, and moisture, making them ideal for various industrial applications.

**\*\*4. What industries commonly use 6206RS bearings?\***

6206RS bearings find widespread use across a range of industries, including automotive, manufacturing, aerospace, and more. They are commonly employed in applications such as motors, pumps, conveyors, and agricultural machinery, among others, where reliable and efficient rotational motion is crucial.

**\*\*5. How do 6206RS bearings contribute to machinery performance?\***

6206RS bearings play a crucial role in enhancing machinery performance by providing smooth and precise rotational motion. Their high-quality construction and sealed design ensure minimal friction and wear, resulting in improved efficiency, reduced downtime, and overall cost savings for operators.

**\*\*6. What maintenance is required for 6206RS bearings?\***

6206RS bearings are designed for minimal maintenance. Regular inspection for signs of wear or damage, as well as proper lubrication as per manufacturer recommendations, is essential to ensure optimal performance and longevity. Additionally, avoiding excessive loads and operating within specified parameters helps prolong bearing life.

**\*\*7. How can I ensure I'm purchasing genuine 6206RS bearings?\***

To ensure you're purchasing genuine 6206RS bearings, it's crucial to source them from reputable suppliers or authorized distributors. Look for proper labeling, certification, and documentation to verify authenticity. Additionally, consider factors such as warranty, customer reviews, and product specifications when making your purchase decision.

## ## Conclusion: Addressing Common Concerns

In conclusion, addressing common questions and concerns about 6206RS sealed ball bearings is essential for users to make informed decisions and maximize the benefits of these precision-engineered components. By understanding their features, benefits, applications, and maintenance requirements, users can leverage the full potential of 6206RS bearings to revolutionize machinery performance across various industries.